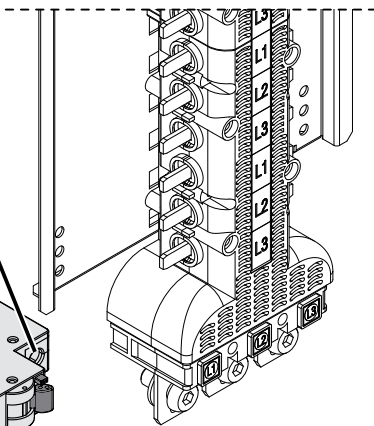
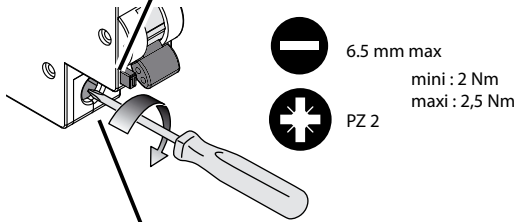
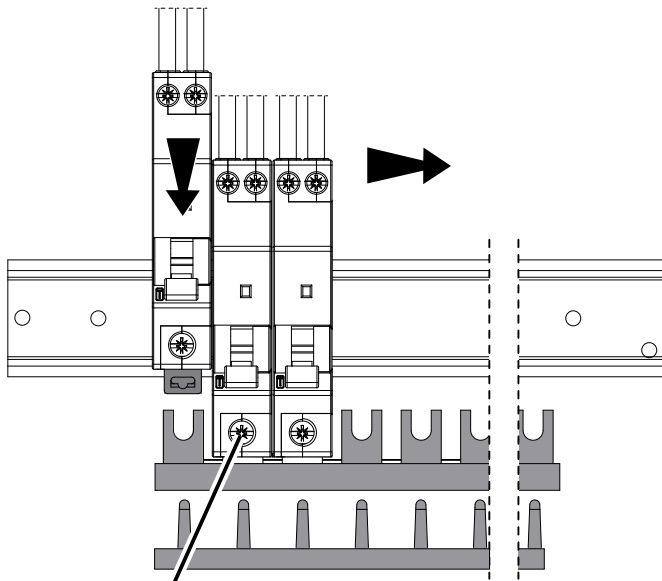
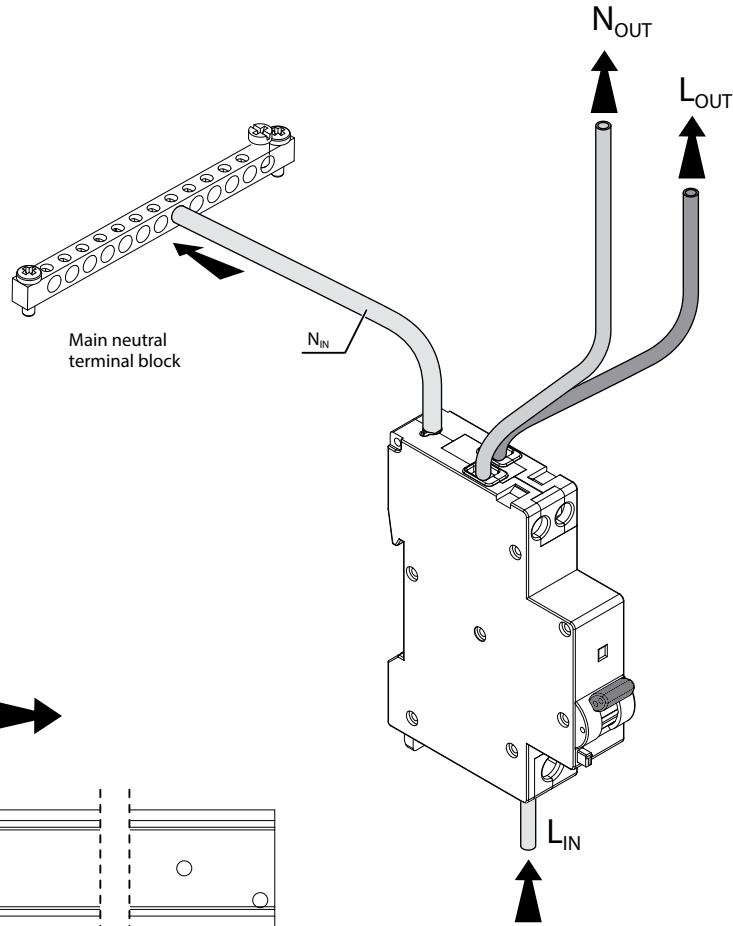




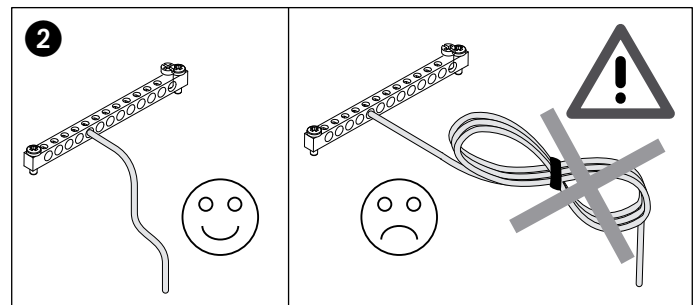
**NON REVERSIBLE CONNECTION**

Cable length = 900 mm

Main terminal block



5.5 mm max PZ 2	12 mm 1,5 - 16 mm <sup>2</sup> 12 mm 1,5 - 10 mm <sup>2</sup>
6.5 mm max PZ 2	14 mm 1,5 - 35 mm <sup>2</sup> 14 mm 1,5 - 25 mm <sup>2</sup>



**These instructions are to be kept for reference and must be given to users:**

For your safety, this distribution board is fitted with residual current protection devices that must be periodically tested.

In the absence of national regulations concerning testing frequency, Legrand recommends that the test be carried out monthly.

Pressing on the « » button should trip the device. Should this not happen, call an electrician immediately as the safety of your installation is reduced.

The presence of a residual current protection device does not remove the need to observe all precautions linked to the use of electrical energy.

GB IE